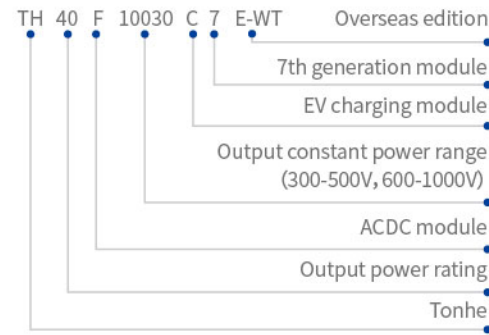
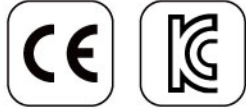


40kW 1000V

TH40F10030C7E-WT



product brief introduction

TH40F10030C7E-WT is DC charging module with high efficiency and high power density developed by Tonhe for chargers. Output voltage up to 1000V, and output constant power is 40kW within the range of 300-500VDC and 600-1000VDC.



product superiority

300-500V
600-1000V

In line with the State grid three unified size, wide constant power range 300-500V,600-1000V

<10W

Ultra-low standby power consumption: < 10W

≤5%

Ultra-low total harmonic distortion: ≤5%

-40°~75°

Ultra-wide operating temperature: -40°C-75°C

96%

High conversion efficiency: peak efficiency ≥96%

Data sheet

AC Input

Input Voltage	Rated voltage 380VAC, 3W+PE, operating voltage range 270-490VAC
Input Frequency	50/60Hz±10%
Input Power Factor	≥0.99
Input Overvoltage Protection	490±10VAC
Input Undervoltage Protection	270±10VAC
THD	≤5%

DC Output

Rated Output Power	40kW
Output Voltage Range	50-1000VDC
Output Current Range	0.5-134A
Output Constant Power Range	300-500VDC, 600-1000VDC
Peak Efficiency	≥96%
Soft Start Time	3-8s
Short Circuit Protection	Self-rollback protection
Voltage Regulation Accuracy	≤±0.5%
Current Regulation Accuracy	≤±1%
Current Sharing Imbalance	≤±5%

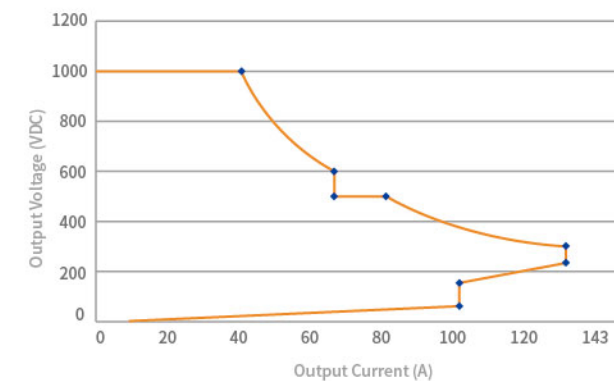
Operation Environment

Working Temperature	-40°C-75°C
Relative Humidity	≤95% no condensation
Altitude	≤2000m, derating above 2000m

Product Features

Cooling Method	Fan cooling
Standby Power Consumption	<10W
Communication Protocol	CAN
Address Setting	Digital screen display, button operation
Dimension	437.5mm x 300mm x 84mm (D x W x H)
Weight	≤16kg
MTBF	500 000 hours

Output Voltage - Output Current Curve



Output Power - Input Voltage Curve

